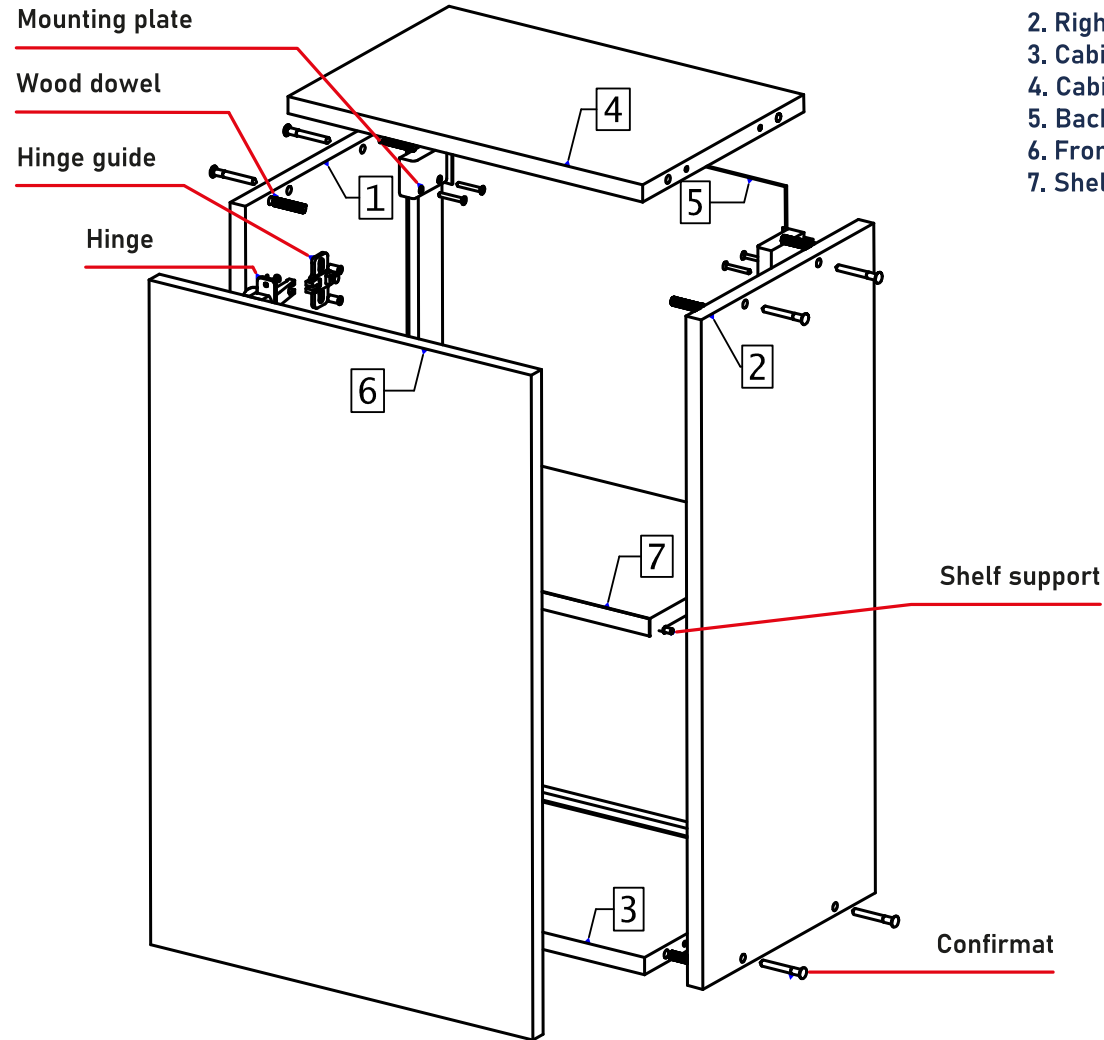
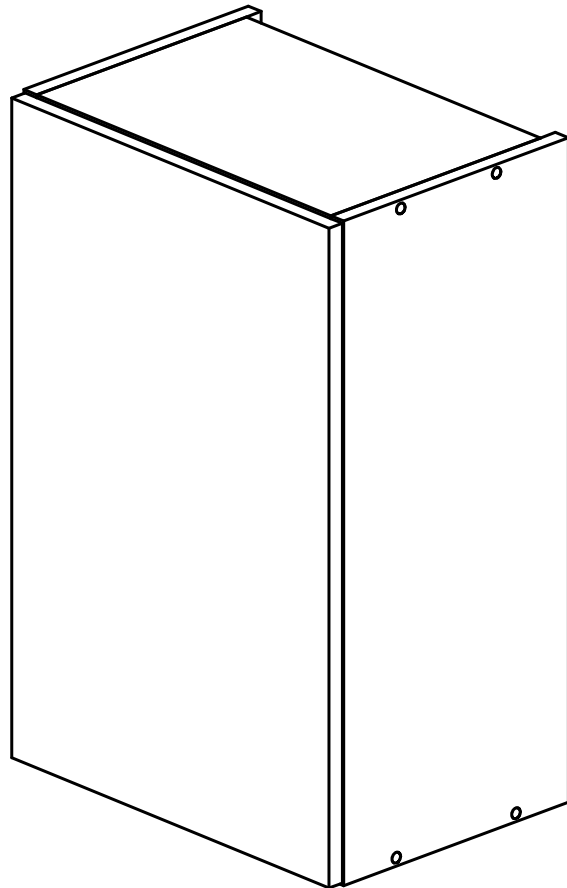
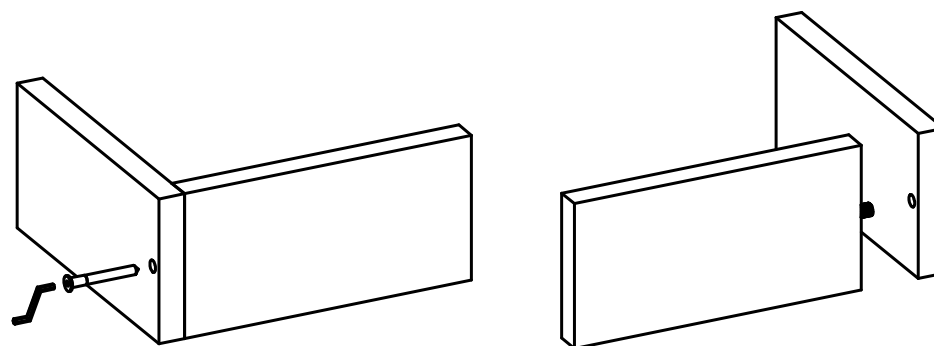
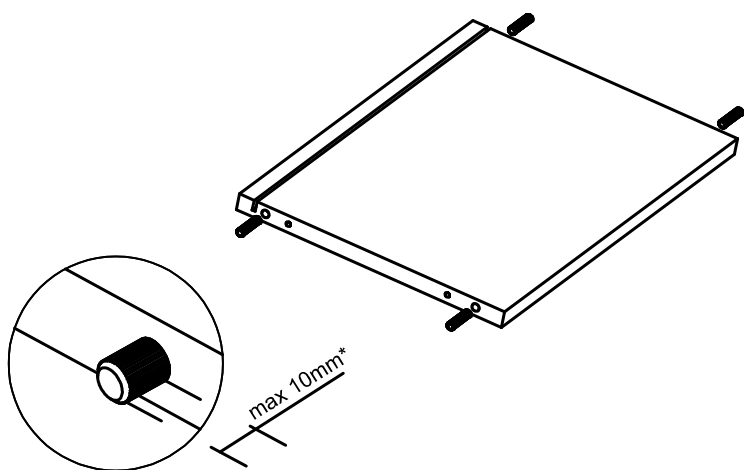
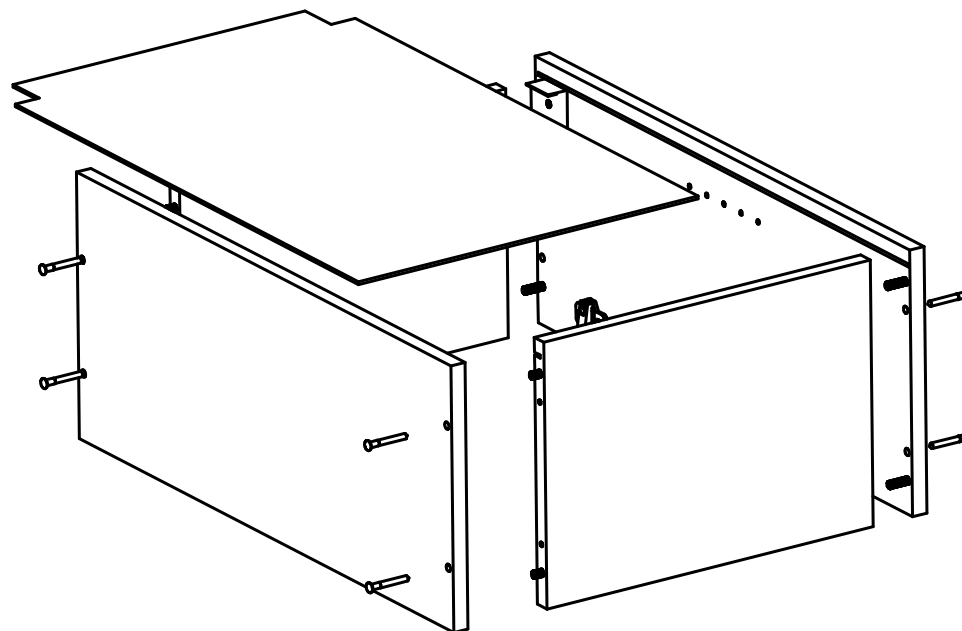
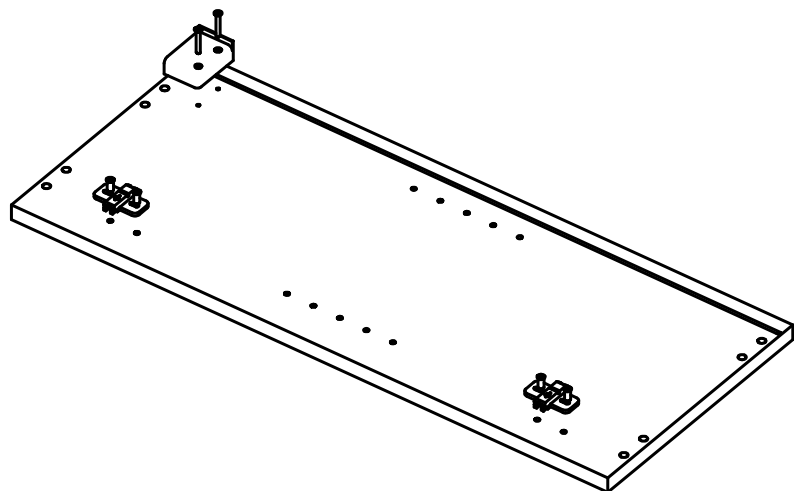




STANDARD WALL CABINET  
assembled with the use of  
confirmats





\* The length of the wood dowel part projecting from an element should not exceed 10mm.



STANDARD WALL CABINET  
assembled with the use of  
confirmats

